

Energy harvesting wireless sensor

harvi is a clever little device that enables the **zappi** and **eddi** products to be installed without using a wired current transformer (CT) for measuring the grid and or generation power - instead the CT is connected to **harvi**. No power source is needed for **harvi** - the energy from the CT is harvested and used to transmit the measurement signal to the **zappi** or **eddi**. This means batteries or electrical wiring are eliminated!

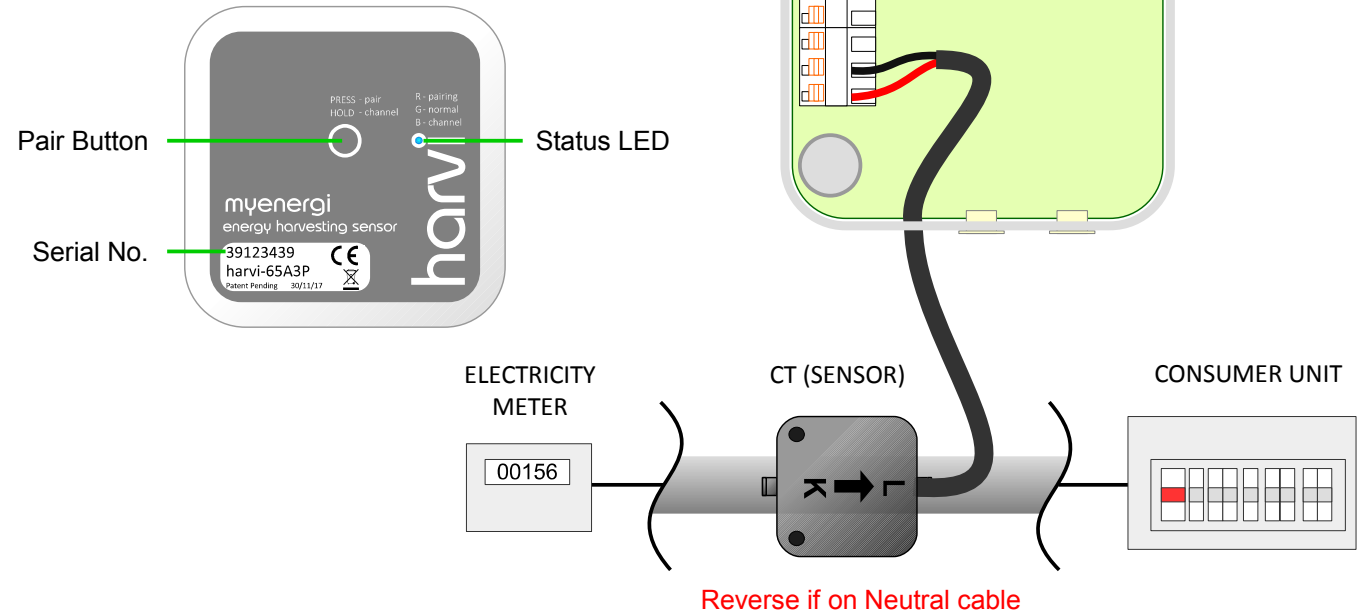
Installation

- Can be wall mounted
 - Up to 3 CT's can be connected
 - Multiple **harvi** devices can be used on one site
 - Batteries or power supply not required!
1. The CT should be clipped around the cable to be monitored – make sure the arrow on the bottom of the CT is pointing towards the consumer unit.
 2. Connect 1, 2 or 3 CT's to the CT input(s), the red wire should be connected to the (+) terminal and the black wire to the (-) terminal of the **harvi** device.
 3. After a few seconds the Status LED will flash **green**.
- Note: Refer to the instruction manual of the **eddi** or **zappi** unit for more details about CT sensor installation.

Pairing with eddi or zappi

1. Press the pair button briefly.
2. The LED will flash **blue** a number of times to indicate the channel number.
3. Then the LED will flash **red** to indicate the **harvi** is in pairing mode.
4. On the **eddi** or **zappi** unit, select "Add Device" in the "Advanced/Linked Devices" menu.
5. The **harvi** should appear on the screen within a few seconds.
6. Check the serial number on the screen matches the number on the front of the **harvi** device and press to add the **harvi** device.

Note: If pairing the **harvi** to a network of already paired devices, it will only need to be paired with one device on the network.



Changing channel (optional)

The default channel is no.1 and normally this will not need to be changed, however, there may be a situation where there is some other device causing interference on a particular channel.

To change channel:

1. Press and hold the pair button until the LED flashes **blue**, the LED will flash rapidly to indicate the channel number from 1 to 8.
2. Release the button when the the chosen channel is shown.
3. Make sure the **eddi** or **zappi** unit is also set to the same channel.

Note: Channels 4-8 are the same as 1-4 but at a higher power level.

Configuration

After pairing the **harvi**, the **eddi** or **zappi** device will need to be configured to use the **harvi**. The function of the CT's connected to the **harvi** are also configured via the **eddi** or **zappi** unit.

1. On the **eddi** or **zappi** device, go to the "Advanced Settings" menu and then "CT Inputs".
2. Disable the relevant CT input(s) for that device – this 'tells' the unit to use the **harvi** CT instead of the wired CT.
3. Next go to the "Linked Devices/Devices" menu option which is also in the "Advanced Settings" menu.
4. Highlight the **harvi** device and press
5. Configure the CT's according to the installation.

Technical Specifications

CT Inputs:	3 inputs enable 3-phase or multi-point power measurement
Measurement Range:	25W to 15kW (50Hz AC, import and export)
Energy Harvesting Range:	0.2A to 65A (including reactive current)
Accuracy:	2.0% typical
Transmission Rate:	1s @ 1A+, <10s @ 0.5-1A, <30s @ <0.5A
Wireless Interface:	868 MHz (proprietary protocol)
Mounting Location:	Indoor only (can be housed in an IP rated plastic box if required)
Operating Temperature:	-30°C to +50°C
Dimensions:	86 x 86 x 25.5mm

harvi

myenergi.uk

Designed and manufactured in the UK by
MyEnergi Ltd, Church View Business Park,
Binbrook, Market Rasen, LN8 6BY
+44 (0)1472 398182